

## Clear Lens Coloured LEDs

- Recessed mount
- Shock, dust & water proof
- 5 Year warranty



### Part Number

**102RC** - 12 Volt, Blister single

<b>Function</b>	Stop/Tail		
<b>Size</b>	130mm round x 12mm		
<b>Voltage</b>	12 Volt		
<b>LED Qty</b>	20		
<b>Cable</b>	36cm Spade terminals		
<b>Draw @13.8V</b>	<b>Stop</b>	<b>Tail</b>	
	0.34A	0.04A	
<b>Approvals ADR</b>	<b>Function</b>	<b>Category</b>	<b>CRN</b>
	Stop/Tail	49/00	42963



### Part Number

**102AC** - 12 Volt, Blister single

<b>Function</b>	Rear Indicator		
<b>Size</b>	130mm round x 12mm		
<b>Voltage</b>	12 Volt		
<b>LED Qty</b>	20		
<b>Cable</b>	36cm Spade terminals		
<b>Draw @13.8V</b>	<b>Indicator</b>		
	0.61A		
<b>Approvals ADR</b>	<b>Function</b>	<b>Category</b>	<b>CRN</b>
	Indicator	6/00/2A	42832



### Part Number

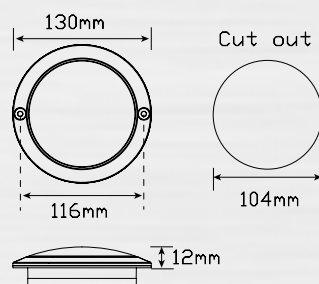
**102W** - 12 Volt, Bulk poly bag

<b>Function</b>	Reverse		
<b>Size</b>	130mm round x 12mm		
<b>Voltage</b>	12 Volt		
<b>LED Qty</b>	20		
<b>Cable</b>	36cm Spade terminals		
<b>Draw @13.8V</b>	<b>Reverse</b>		
	0.27A		
<b>Approvals ADR</b>	<b>Function</b>	<b>Category</b>	<b>CRN</b>
	Reverse	1/00	42826

## Fitting Instructions

Fit into cutout (cutout 104mm round) using stick on gasket between lamp and fitting surface, run wires at back. Please refer to ADR 13/00 for mounting instructions.

## Technical Drawings



## Blister Packaging



# Single Function Lamps Medium Vehicle/Trailer

- Low profile recess model
- Shock, dust & water proof
- 5 Year warranty



<b>Function</b>	Stop/Tail		
<b>Size</b>	130mm round x 12mm		
<b>Voltage</b>	12 Volt and Multivolt 12-24V		
<b>LED Qty</b>	20		
<b>Cable</b>	40cm Spade terminals		
<b>Draw</b>	<b>Stop</b>	<b>Tail</b>	
@13.8V	0.31A	0.04A	
@28V	0.19A	0.04A	
<b>Approvals</b>	<b>Function</b>	<b>Category</b>	<b>CRN</b>
<b>ADR</b>	Stop/Tail	49/00	42963

### Part Number

- 102R** - 12 Volt, Bulk poly bag
- 102RM** - Multivolt 12-24V, Blister single



<b>Function</b>	Rear Indicator		
<b>Size</b>	130mm round x 12mm		
<b>Voltage</b>	12 Volt and Multivolt 12-24V		
<b>LED Qty</b>	20		
<b>Cable</b>	40cm Spade terminals		
<b>Draw</b>	<b>Indicator</b>		
@13.8V	0.29A		
@28V	0.20A		
<b>Approvals</b>	<b>Function</b>	<b>Category</b>	<b>CRN</b>
<b>ADR</b>	Indicator	6/00/2A	42832

### Part Number

- 102A** - 12 Volt, Bulk poly bag
- 102AM** - Multivolt 12-24V, Blister single



<b>Function</b>	Reverse		
<b>Size</b>	130mm round x 12mm		
<b>Voltage</b>	12 Volt and Multivolt 12-24V		
<b>LED Qty</b>	20		
<b>Cable</b>	40cm Spade terminals		
<b>Draw</b>	<b>Reverse</b>		
@13.8V	0.15A		
@28V	0.11A		
<b>Approvals</b>	<b>Function</b>	<b>Category</b>	<b>CRN</b>
<b>ADR</b>	Reverse	1/00	42826

### Part Number

- 102W** - 12 Volt, Bulk poly bag
- 102WM** - Multivolt 12-24V, Blister single

## Fitting Instructions

Fit into cutout (cutout 104mm round) using stick on gasket between lamp and fitting surface, run wires at back. Please refer to ADR 13/00 for mounting instructions.

### Accessories

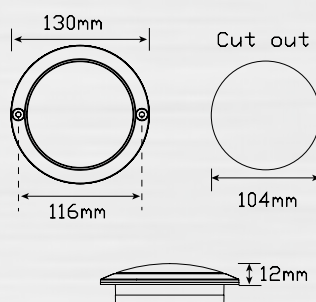
102B3B - Triple black bracket.



102W3B - Triple white bracket.



## Technical Drawings



## Blister Packaging

