

Combination Lamps Small Vehicle/Trailer

- Diamond pattern lens
- Premium trailer lamps
- Shock, dust & water proof
- Lifetime warranty



Function	Stop/Tail/Indicator/Reflector		
Size	150mm x 80mm x 24mm		
Voltage	12 Volt and Multivolt 12-24V		
LED Qty	14		
Cable	40cm with plug or 10 metre cable		

Draw	Stop	Tail	Indicator
@13.8V	0.13A	0.04A	0.12A
@28V	0.12A	0.06A	0.07A

Approvals	Function	Category	CRN
ADR	Stop/Tail	49/00	37381
ADR	Indicator	6/00/2A	37380
ADR	Reflector	47/00	38102

Part Number

- 150BAR** - 12 Volt, White PCB, Bulk boxed
- 150ARM** - Multivolt 12-24V, Blister single
- 150BAR10** - 12 Volt, 10m cable, Bulk poly bag
- 150ARM10** - Multivolt 12-24V, 10m cable, Bulk poly bag

Part Number - Twin Pack

- 150BAR2** - 12 Volt, Blister twin pack
- 150BARLP2** - 12 Volt, Licence lamp frame, Blister twin pack
- 150BARB2** - 12 Volt, Black PCB, Blister twin pack

**This is arguably the best
product LED Autolamps
has ever produced,
Please go to
Page 226 for the full story**



Function	Stop/tail/Indicator/Reflector with Licence Lamp			
Size	150mm x 80mm x 24mm			
Voltage	12 Volt and Multivolt 12-24V			
LED Qty	14			
Cable	40cm cable with plug			

Draw	Stop	Tail	Ind	Lic
@13.8V	0.13A	0.04A	0.12A	0.03A
@28V	0.12A	0.06A	0.07A	0.03A

Approvals	Function	Category	CRN
ADR	Stop/Tail	49/00	37381
ADR	Indicator	6/00/2A	37380
ADR	Reflector	47/00	38102
ECE	Licence	L00	6110

Part Number

- 150BARB1** - 12 Volt, Blister single pack
- 150BARB** - 12 Volt, Black PCB, Bulk boxed
- 150BARLP** - 12 Volt, Licence plate frame, Bulk boxed

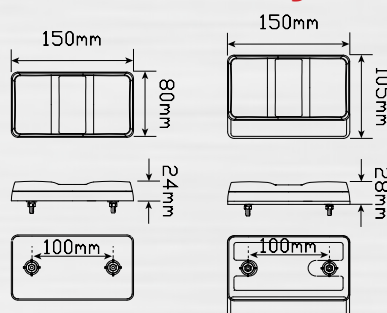
Fitting Instructions

Surface mount onto flat surface vertically with Indicator at top using bolts in back of lamp, run wire and plug through 10mm hole in fixing surface. Please refer to ADR 13/00 for mounting instructions.

Accessories

LP151 - Licence lamp frame

Technical Drawings



Blister Packaging

