

# 175 Series

Front Indicator and marker lamp with daytime running accessory function when used in conjunction with Part Number: DRLHOTDOG

- Retro fit to existing 4x4 bullbar
- ECE Australian Road Approved
- IP67 Water/Dust proof
- 5 Year Warranty

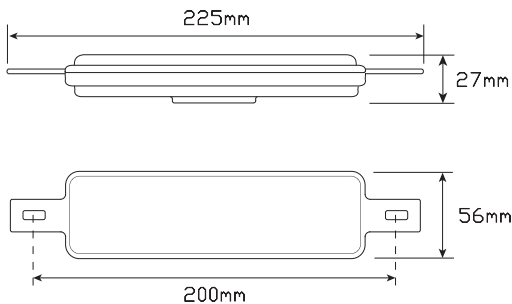
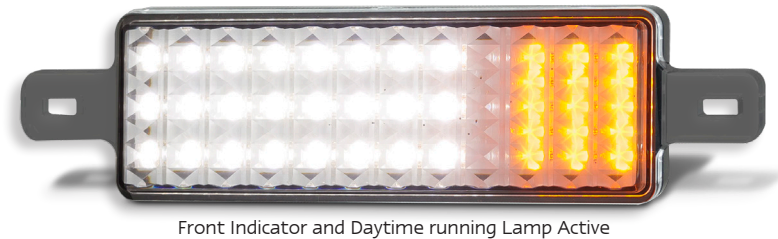
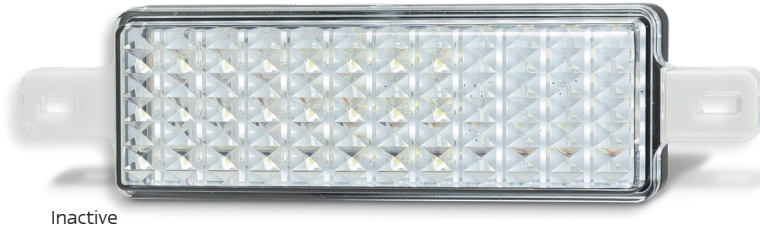
**ECE/ADR**  
Approved

**100%**  
Water Proof

**5 Year**  
Warranty

<b>Function</b>	Front Indicator/marker daytime running lamp		
<b>Size</b>	225mm x 50mm x 28mm		
<b>Voltage</b>	12 Volt		
<b>LED Qty</b>	39		
<b>Cable</b>	40cm cable		
<b>Draw</b>	<b>Indicator</b>	<b>Position</b>	<b>DRL</b>
<b>@13.8V</b>	0.26A	0.02A	0.22A

<b>Approvals</b>	<b>Function</b>	<b>Approval No.</b>
<b>ECE</b>	Indicator	1-E9-01.11513
<b>ECE</b>	Position	A-E9-02.11513
<b>ECE</b>	Daytime	RL-E9-00.11513
<b>CTA</b>	Indicator/Position/DRL	CTA-060223



## Part Number

**175AWTB2** - 12 Volt, Blister Twin Pack

## Fitting Instructions

Retro fit to existing bullbar applications. Wire colours: Brown - Position, Yellow - Indicator, White - Earth, Red - To be used for DRL function in conjunction with Part No DRLHOTDOG. Please refer to ADR 13/00 for mounting instructions.



All enquiries P: (03) 9466 7075 E: led@ledtech.com.au, www.ledautolamps.com

All efforts are made to ensure all information is correct and up to date, it can be subject to change without notice. All measurements are in millimeters (mm) and are not to scale.

© All LED Technologies designs are registered throughout the world. - Current as of 17/12/2021