

Exterior Lamps

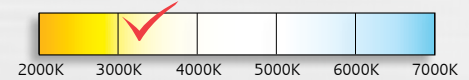
- Caravan side lamps 120° spread
- Recessed exterior lamp
- 3 Year warranty



Part Number
186WW - 12 Volt, Blister single

Function Caravan door/side lamp
Size 186mm x 49mm x 31mm
Voltage 12 Volt
LED Qty 8
Cable 40cm cable
Draw
 @13.8V 0.12A
 @28V 0.04A

Colour temperature scale



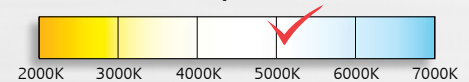
Part Number
380CEL - 12 Volt, Chrome, Blister single

Function Caravan door/side lamp
Size 430mm x 35mm x 35mm
Voltage 12 Volt
LED Qty 18
Cable 40cm cable
Draw
 @13.8V 0.14A



Part Number
380WEL - 12 Volt, white, Blister single

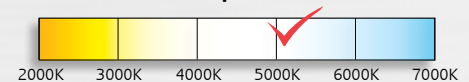
Colour temperature scale



Part Number
5100W12 - 12 Volt, Bulk Boxed
5100W24 - 24 Volt, Bulk Boxed

Function Large recessed exterior lamp
Size 165mm x 102mm x 4mm
Voltage 12 Volt or 24 Volt
LED Qty 30
Cable Blade terminals
Draw
 @13.8V 0.20A
 @28V 0.10A

Colour temperature scale



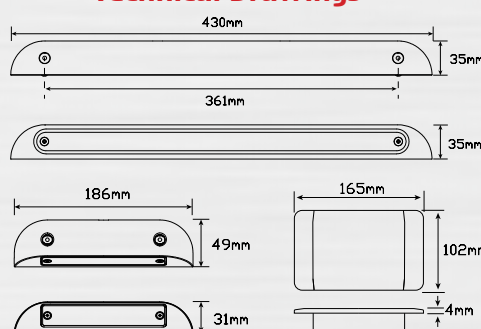
Fitting instructions

186 Series - Remove screw caps by pushing from opposite side with screws supplied. Fit onto flat surface and refit screw caps.

5100 Series - Recessed mount with cut out 130mm x 87mm, fix to flat surface with screws.

380 Series - Remove screw caps by pushing from opposite side with screws supplied. Fit onto flat surface and refit screw caps.

Technical Drawings



Blister Packaging

