

Single Function Lamps Small Vehicle/Trailer

- Slimline, low profile
- Surface mount bracket
- 5 Year warranty



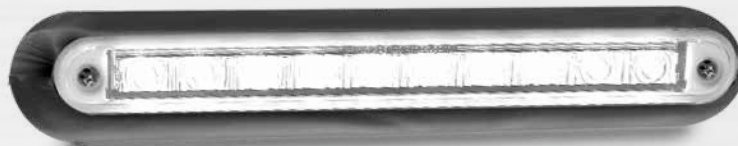
Part Number
235BR12 - 12 Volt, Blister single

Function	Stop/Tail		
Size	259mm x 46mm x 17mm		
Voltage	12 Volt		
LED Qty	10		
Cable	40cm cable		
Draw @13.8V	Stop	Tail	
	0.14A	0.04A	
Approvals	Function	Category	CRN
ADR	Stop	49/00	37678
ADR	Tail	49/00	37678



Part Number
235BA12 - 12 Volt, Blister single

Function	Rear Indicator		
Size	259mm x 46mm x 17mm		
Voltage	12 Volt		
LED Qty	10		
Cable	40cm cable		
Draw @13.8V	Indicator		
	0.16A		
Approvals	Function	Category	CRN
ADR	Indicator	6/00/2A	39092



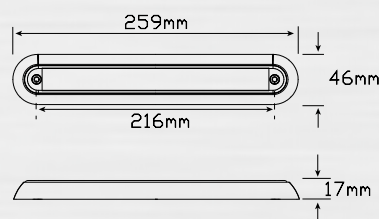
Part Number
235BW12 - 12 Volt, Blister single

Function	Supplementary reverse		
Size	259mm x 46mm x 17mm		
Voltage	12 Volt		
LED Qty	10		
Cable	40cm cable		
Draw @13.8V	Reverse		
	0.12A		
Approvals	Function	Category	CRN
Nil	Reverse	N/A	N/A

Fitting Instructions

Surface mount onto flat surface horizontally, run wires through back and fix with screws supplied at both ends. Please refer to ADR13/00 for mounting instructions.

Technical Drawings



Blister Packaging



Clear Lens Single Function Lamps

- Recessed lamp low profile
- Shock, dust & water proof
- 5 Year warranty



Part Number
235CR12 - 12 Volt, Blister single

Function	Stop/Tail		
Size	237mm x 25mm x 3mm		
Voltage	12 Volt		
LED Qty	10		
Cable	40cm Cable		
Draw @13.8V	Stop	Tail	
	0.14A	0.04A	
Approvals ADR	Function	Category	CRN
	Stop/Tail	49/00	43991



Part Number
235CA12 - 12 Volt, Blister single

Function	Rear Indicator		
Size	237mm x 25mm x 3mm		
Voltage	12 Volt		
LED Qty	10		
Cable	40cm Cable		
Draw @13.8V	Indicator		
	0.19A		
Approvals ADR	Function	Category	CRN
	Indicator	6/00/2A	43989



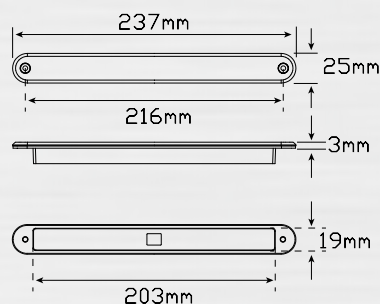
Part Number
235CW12 - 12 Volt, Blister single

Function	Supplementary reverse		
Size	237mm x 25mm x 3mm		
Voltage	12 Volt		
LED Qty	10		
Cable	40cm Cable		
Draw @13.8V	Reverse		
	0.19A		
Approvals Nil	Function	Category	CRN
	Reverse	N/A	N/A

Fitting Instructions

Mount onto flat surface horizontally. Push lamp and grommet into cutout (cut out 203mm x 19mm) in mounting surface, run wires through back and fix with screws supplied at both ends. Please refer to ADR13/00 for mounting instructions.

Technical Drawings



Blister Packaging



Single Function Lamps Small Vehicle/Trailer

- Recessed lamp low profile
- Shock, dust & water proof
- 5 Year warranty



Part Number

- 235R** - 12 Volt, Blister single
235R24 - 24 Volt, Blister single

Function	Stop/Tail	
Size	237mm x 25mm x 3mm	
Voltage	12 Volt or 24 Volt	
LED Qty	10	
Cable	40cm cable	

Draw	Stop	Tail
@13.8V	0.14A	0.04A
@28V	0.13A	0.05A

Approvals	Function	Category	CRN
ADR	Stop	49/00	37678
ADR	Tail	49/00	37678



Part Number

- 235A** - 12 Volt, Blister single
235A24 - 24 Volt, Blister single

Function	Rear Indicator	
Size	237mm x 25mm x 3mm	
Voltage	12 Volt or 24 Volt	
LED Qty	10	
Cable	40cm cable	

Draw	Indicator
@13.8V	0.16A
@28V	0.12A

Approvals	Function	Category	CRN
ADR	Indicator	6/00/2A	39092



Part Number

- 235W** - 12 Volt, Blister single
235W24 - 24 Volt, Blister single

Function	Supplementary Reverse	
Size	237mm x 25mm x 3mm	
Voltage	12 Volt or 24 Volt	
LED Qty	10	
Cable	40cm cable	

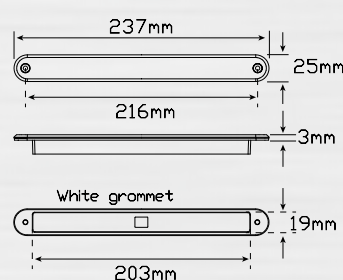
Draw	Reverse
@13.8V	0.12A
@28V	0.06A

Approvals	Function	Category	CRN
Nil	Reverse	N/A	N/A

Fitting Instructions

Mount onto flat surface horizontally. Push lamp and grommet into cutout (cut out 203mm x 19mm) in mounting surface, run wires through back and fix with screws supplied at both ends. Please refer to ADR13/00 for mounting instructions.

Technical Drawings



Blister Packs



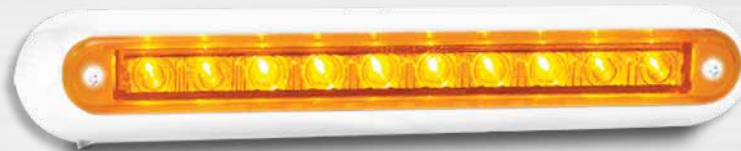
Single Function Lamps Small Vehicle/Trailer

- Caravan industry low profile design
- Surface mount bracket
- 5 Year warranty



Part Number
235WR12 - 12 Volt, Blister single

Function	Stop/Tail		
Size	259mm x 46mm x 17mm		
Voltage	12 Volt		
LED Qty	10		
Cable	40cm cable		
Draw @13.8V	Stop	Tail	
	0.14A	0.04A	
Approvals	Function	Category	CRN
ADR	Stop	49/00	37678
ADR	Tail	49/00	37678



Part Number
235WA12 - 12 Volt, Blister single

Function	Rear Indicator		
Size	259mm x 46mm x 17mm		
Voltage	12 Volt		
LED Qty	10		
Cable	40cm cable		
Draw @13.8V	Indicator		
	0.16A		
Approvals	Function	Category	CRN
ADR	Indicator	6/00/2A	39092



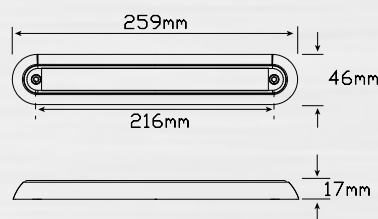
Part Number
235WW12 - 12 Volt, Blister single

Function	Supplementary reverse		
Size	259mm x 46mm x 17mm		
Voltage	12 Volt		
LED Qty	10		
Cable	40cm cable		
Draw @13.8V	Reverse		
	0.12A		
Approvals	Function	Category	CRN
Nil	Reverse	N/A	N/A

Fitting Instructions

Surface mount onto flat surface horizontally, run wires through back and fix with screws supplied at both ends. Please refer to ADR13/00 for mounting instructions.

Technical Drawings



Blister Packaging

