

Chrome Surround Coloured Lens Single Function Lamps

- Slimline, low profile
- Shock, dust & water proof
- 5 Year warranty



Part Number
380CR12 - 12 Volt, Blister single

Function	Stop/Tail		
Size	404mm x 46mm x 17mm		
Voltage	12 Volt		
LED Qty	18		
Cable	40cm cable		
Draw	Stop	Tail	
@13.8V	0.16A	0.04A	
@28V	0.12A	0.01A	
Approvals	Function	Category	CRN
ADR	Stop	49/00	39473
ADR	Tail	49/00	39473



Part Number
380CA12 - 12 Volt, Blister single

Function	Rear Indicator		
Size	404mm x 46mm x 17mm		
Voltage	12 Volt		
LED Qty	18		
Cable	40cm cable		
Draw	Indicator		
@13.8V	0.18A		
Approvals	Function	Category	CRN
ADR	Indicator	6/00/2A	39470



Part Number
380CW12 - 12 Volt, Blister single

Function	Supplementary reverse		
Size	404mm x 46mm x 17mm		
Voltage	12 Volt		
LED Qty	18		
Cable	40cm cable		
Draw	Reverse		
@13.8V	0.14A		
Approvals	Function	Category	CRN
Nil	Reverse	N/A	N/A

Fitting Instructions

Surface mount onto flat surface horizontally to the ground, run wires through back and fix with screws supplied at both ends. Please refer to ADR13/00 for mounting instructions.

Technical Drawings



Blister Packaging



**Clear Lens
Coloured LEDs
Chrome Surround**

- Surface mount slimline design
- Shock, dust & water proof
- 5 Year warranty



Function	Stop/Tail		
Size	404mm x 46mm x 17mm		
Voltage	12 Volt		
LED Qty	18		
Cable	40cm cable		
Draw @13.8V	Stop	Tail	
	0.22A	0.03A	
Approvals ADR	Function	Category	CRN
	Stop/Tail	49/00	43990

Part Number
380CCR12 - 12 Volt, Blister single



Function	Rear Indicator		
Size	404mm x 46mm x 17mm		
Voltage	12 Volt		
LED Qty	18		
Cable	40cm cable		
Draw @13.8V	Indicator		
	0.18A		
Approvals ADR	Function	Category	CRN
	Indicator	6/00/2A	35796

Part Number
380CCA12 - 12 Volt, Blister single



Function	Reverse		
Size	404mm x 46mm x 17mm		
Voltage	12 Volt		
LED Qty	18		
Cable	40cm cable		
Draw @13.8V	Reverse		
	0.14A		
Approvals ADR	Function	Category	CRN
	Reverse	1/00	TBA

Part Number
380CCW12 - 12 Volt, Blister single

Fitting Instructions

Surface mount bracket and lights horizontally to ground with screws provided, please refer to ADR 13/00 for mounting instructions

Technical Drawings



Blister Packaging



Single Function Lamps Medium Vehicle/Trailer

- Recessed lamp low profile
- Shock, dust & water proof
- 5 Year warranty



Part Number

380R12 - 12 Volt, Blister single

380R24 - 24 Volt, Blister single

Function Stop/Tail
Size 382mm x 25mm x 3mm
Voltage 12 Volt or 24 Volt
LED Qty 18
Cable 40cm cable

Draw **Stop** **Tail**
@13.8V 0.16A 0.04A
@28V 0.12A 0.01A

Approvals	Function	Category	CRN
ADR	Stop	49/00	39473
ADR	Tail	49/00	39473



Part Number

380A12 - 12 Volt, Blister single

380A24 - 24 Volt, Blister single

Function Rear Indicator
Size 382mm x 25mm x 3mm
Voltage 12 Volt or 24 Volt
LED Qty 18
Cable 40cm cable

Draw **Indicator**
@13.8V 0.18A
@28V 0.10A

Approvals	Function	Category	CRN
ADR	Indicator	6/00/2A	39470



Part Number

380W12 - 12 Volt, Blister single

380W24 - 24 Volt, Blister single

Function Supplementary reverse
Size 382mm x 25mm x 3mm
Voltage 12 Volt or 24 Volt
LED Qty 18
Cable 40cm cable

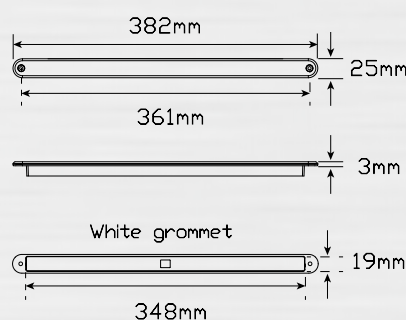
Draw **Reverse**
@13.8V 0.14A
@28V 0.09A

Approvals	Function	Category	CRN
ADR	Non ADR	N/A	N/A

Fitting Instructions

Mount onto flat surface horizontally. Push lamp and grommet into cutout (cut out 203mm x 19mm) in mounting surface, run wires through back and fix with screws supplied at both ends. Please refer to ADR13/00 for mounting instructions.

Technical Drawings



Blister Packs

