

Licence Plate Lamps

- Shock, dust & water proof
- 5 Year warranty
- ADR approved



Function	Licence plate lamp		
Size	70mm x 42mm x 40mm		
Voltage	Multivolt 12-24V		
LED Qty	4		
Cable	23cm cable		
Draw	Licence		
@13.8V	0.05A		
@28V	0.04A		
Approvals	Function	Category	CRN
ECE	Licence	L00	1222

Part Number

- 41BLM** - Multivolt 12-24V, Blister single
- 41BLMB** - Multivolt 12-24V, Bulk poly bag



Non ADR approved

Function	Illumination lamp		
Size	69mm x 54mm x 40mm		
Voltage	12 Volt		
LED Qty	2		
Cable	23cm cable		
Draw	Licence		
@13.8V	0.11A		
Approvals	Function	Category	CRN
Nil	lamp	N/A	N/A

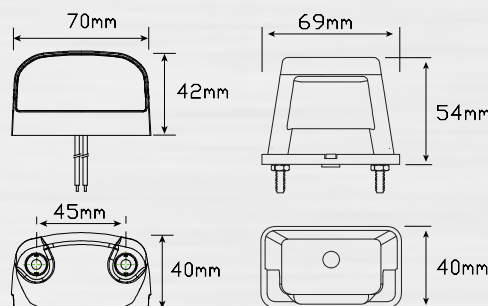
Part Number

- 65362** - 12 Volt, Bulk poly bag

Fitting Instructions

Run wires through hole in flat fitting surface, ensure foam gasket is between lamp and surface, fix using screws supplied. You will require one lamp on the left and right side of the licence plate. Please refer to ADR 13/00.

Technical Drawings



Blister Packaging

