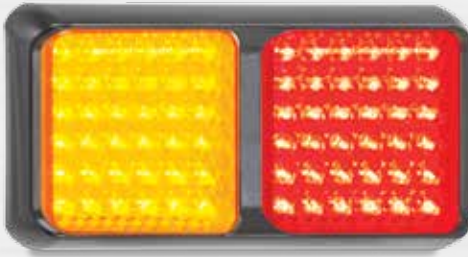


Combination Lamps Small Vehicle/Trailer

- High brightness LEDs
- Shock, dust & water proof
- 5 Year warranty



Part Number

- 80BAR** - 12 Volt, Blister single
- 80BARM** - Multivolt 12-24V, Blister single

Function	Stop/Tail/Indicator		
Size	188mm x 100mm x 28mm		
Voltage	12 Volt or Multivolt 12-24V		
LED Qty	72		
Cable	40cm cable		

Draw	Stop	Tail	Indicator
@13.8V	0.33A	0.06A	0.31A
@28V	0.25A	0.04A	0.22A

Approvals	Function	Category	CRN
ADR	Stop/Tail	49/00	33059
ADR	Indicator	6/00/2A	33098



Part Number

- 275GARM** - Multivolt 12-24V, Blister single
- 275GARMB** - Multivolt 12-24V, Bulk boxed



Function	Stop/Tail/Indicator/Reflector		
Size	176mm x 100mm x 33mm		
Voltage	Multivolt 12-24V		
LED Qty	48		
Cable	20cm cable		

Draw	Stop	Tail	Indicator
@13.8V	0.23A	0.04A	0.22A
@28V	0.12A	0.04A	0.12A

Approvals	Function	Category	CRN
ADR	Stop/Tail	49/00	43223
ADR	Indicator	6/00/2A	43221
ADR	Reflector	02 1A	1472



Part Number

- 275RARM** - Multivolt 12-24V, Blister single
- 275RARMB** - Multivolt 12-24V, Bulk boxed



Function	Stop/Tail/Indicator/Reflector		
Size	176mm x 100mm x 33mm		
Voltage	Multivolt 12-24V		
LED Qty	48		
Cable	20cm cable		

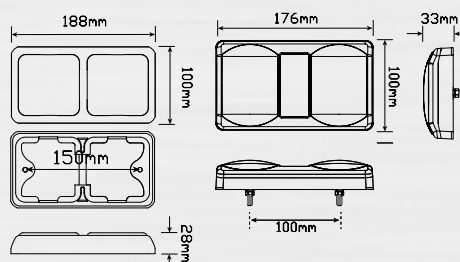
Draw	Stop	Tail	Indicator
@13.8V	0.23A	0.04A	0.22A
@28V	0.12A	0.04A	0.12A

Approvals	Function	Category	CRN
ADR	Stop/Tail	49/00	43223
ADR	Indicator	6/00/2A	43221
ADR	Reflector	02 1A	1472

Fitting Instructions

Surface mount onto flat surface horizontally using bolts in back of lamp, run wire and plug through 10mm hole in fixing surface. Please refer to ADR 13/00 for mounting instructions.

Technical Drawings



Blister Packaging



Chrome Surround Combination Lamps

- Low profile original design
- Shock, dust & water proof
- 5 Year warranty



Part Number

- 80CSTIM** - Multivolt 12-24V, Blister single
- 80CSTIMB** - Multivolt 12-24V, Bulk boxed
- 80CSTIM6** - Multivolt 12-24V, 6 meter cable, Bulk poly bag

Function	Stop/Tail/Indicator		
Size	100mm x 100mm x 28mm		
Voltage	Multivolt 12-24V		
LED Qty	24		
Cable	40cm cable 6 meter cable		

Draw	Stop	Tail	Indicator
@13.8V	0.33A	0.06A	0.31A
@28V	0.25A	0.04A	0.22A

Approvals	Function	Category	CRN
ADR	Stop	49/00	35788
ADR	Tail	49/00	35789
ADR	Indicator	6/00/2A	35787



Part Number

- 80CAR** - 12 Volt, Blister single
- 80CARM** - Multivolt 12-24V, Blister single

Function	Stop/Tail/Indicator		
Size	188mm x 100mm x 28mm		
Voltage	12 Volt and Multivolt 12-24V		
LED Qty	72		
Cable	40cm cable		

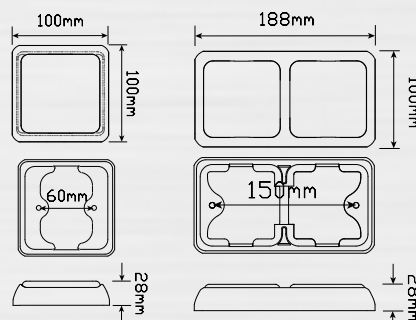
Draw	Stop	Tail	Indicator
@13.8V	0.33A	0.06A	0.31A
@28V	0.25A	0.04A	0.22A

Approvals	Function	Category	CRN
ADR	Stop/Tail	49/00	33059
ADR	Indicator	6/00/2A	33098

Fitting Instructions

Horizontally mount onto flat surface using screws provided, run wires through back and clip lens into place. Please refer to ADR 13/00 for mounting instructions.

Technical Drawings



Blister Packaging

