

H155 Series Small Vehicle/Trailer

- Budget Trailer Lamps
- Inbuilt Red Reflector
- IP67 Dust & Waterproof
- 5 Year Warranty

Function Stop/Tail/Indicator/Reflector
Size 150mm x 80mm x 24mm
Voltage 12 Volt Only
LED Qty 14
Cable 40cm with Plug

Draw **Stop** **Tail** **Ind**
@13.8V 0.13A 0.04A 0.12A

Approvals	Function	Category	CRN
ADR	Stop/Tail	49/00	44016
ADR	Indicator	6/00 2a	44015
ADR	Reflector	47/00	38102
CTA	Stop/Tail/Ind/Ref	49/00, 6/00 2a, 47/00	CTA-060238



Active

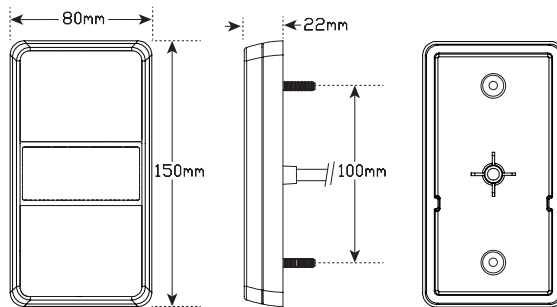


Inactive

Part Number

H155 - Single Box

H155/50 - Single Box x 50



Fitting Instructions

Surface mount onto flat surface vertically with Indicator at top using bolts in back of lamp, run wire and plug through 10mm hole in fixing surface. Please refer to ADR 13/00 for mounting instructions.

ADR
Approved

100%
Water Proof

5 Year
Warranty



All enquiries P: (03) 9466 7075 E: led@ledtech.com.au, www.ledautolamps.com

All efforts are made to ensure all information is correct and up to date, it can be subject to change without notice. All measurements are in millimeters (mm) and are not to scale.

© All LED Technologies designs are registered throughout the world. - Current as of 30/11/2021

H155 Series Lamp and Cable Kit

- Trailers Up to 6 Metres
- Includes Plugin Licence Plate Lamp
- Inbuilt Red Reflectors
- IP67 Dust & Waterproof

Function	Stop/Tail/Ind/Licence/Reflector
Size	150mm x 80mm x 24mm
Voltage	12 Volt Only
LED Qty	8
Cable	40cm with Plug
Draw @13.8V	Stop 0.13A Tail 0.04A Ind 0.12A

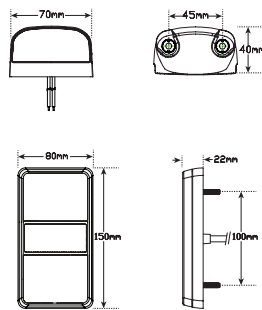
Approvals	Function	Approval	CRN
ADR	Stop/Tail	49/00	44016
ADR	Indicator	6/00 2a	44015
ADR	Reflector	47/00	38102
ECE	Licence		L-E9-00.1222
CTA	Stop/Tail/Ind/Ref	49/00, 6/00 2a, 47/00	CTA-060238
CTA	Licence		CTA-060032



Part Number
H155BARLP2/6 - Twin Blister Kit
H155BARLP2/6B - Twin Bulk Kit



Part No. H155BARLP2/6
- Twin Blister Kit



Kits Include: 1 x LHS Lamp with 6m of Cable, 1 x RHS Lamp with 6m of Cable and plug for Licence Plate Lamp, 1 x Plugin Licence Plate Lamp.

Fitting Instructions

Surface mount onto flat surface vertically with Indicator at top using bolts in back of lamp, run wire and plug through 10mm hole in fixing surface. Please refer to ADR 13/00 for mounting instructions.

ADR
Approved
100%
Water Proof
5 Year
Warranty



All enquiries P: (03) 9466 7075 E: led@ledtech.com.au, www.ledautolamps.com

All efforts are made to ensure all information is correct and up to date, it can be subject to change without notice. All measurements are in millimeters (mm) and are not to scale.

© All LED Technologies designs are registered throughout the world. - Current as of 30/11/2021